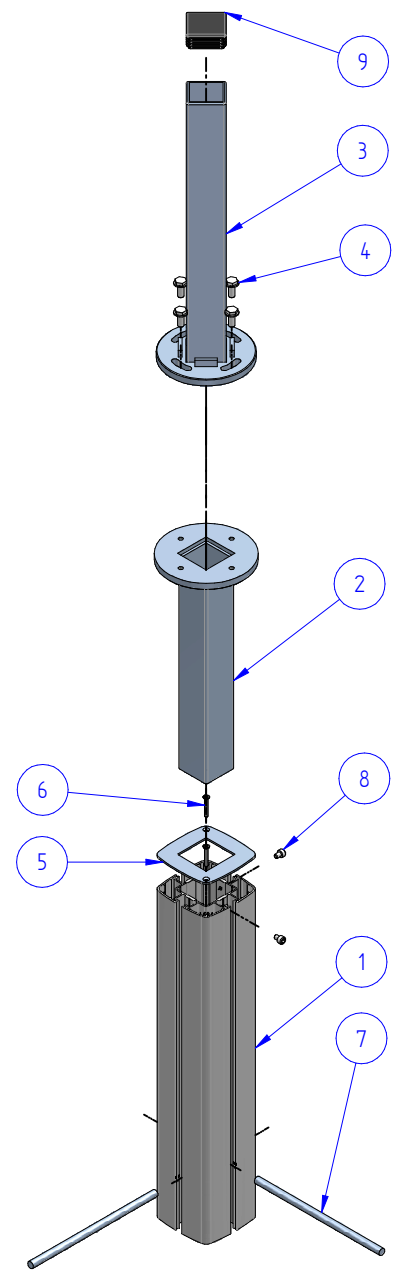
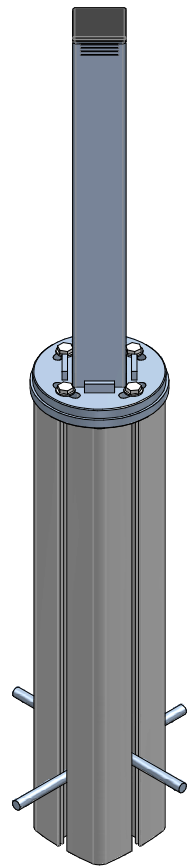
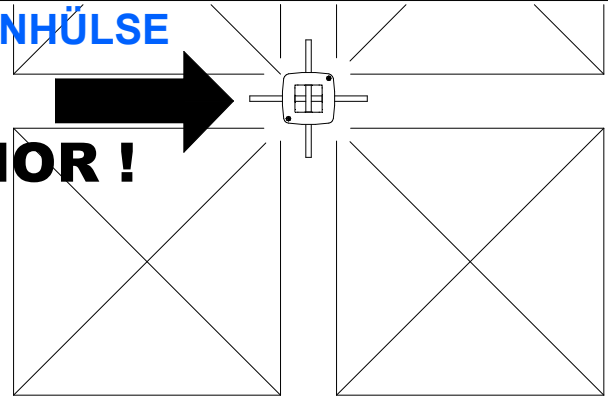
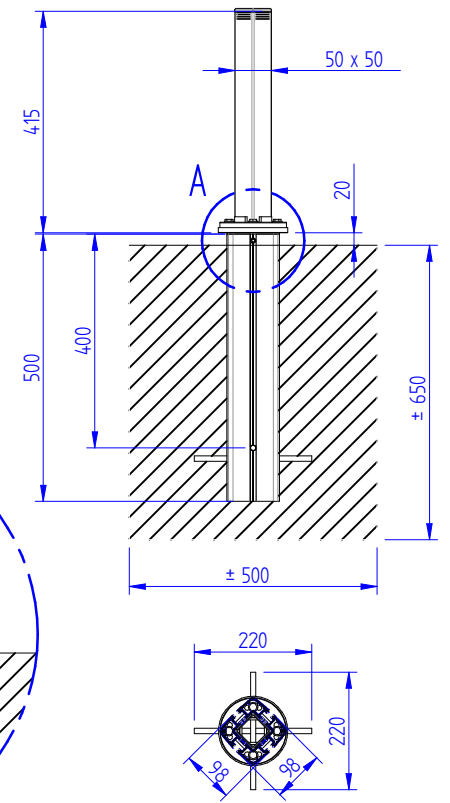
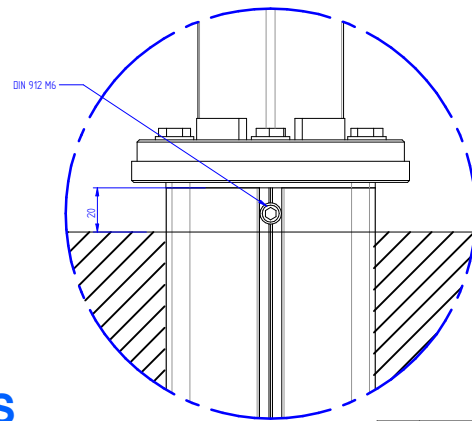
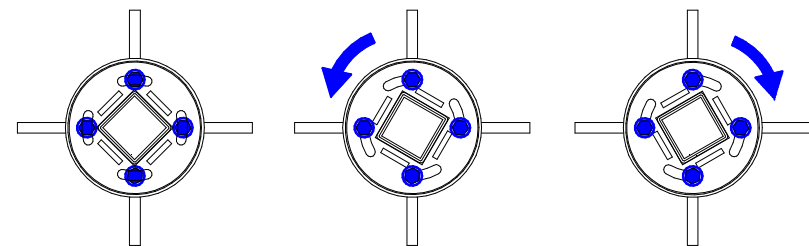


**POSITION DER BODENHÜLSE**  
**POSITION OF**  
**GROUNDANCHOR !**



**ANPASSBAR**  
**15° LINKS - 15° RECHTS**  
**ADJUSTABLE**  
**15° LEFT - 15° RIGHT**



Nr	Doc Nr	Title	Art.Nr	Qty
1	P5213	Operation Groundanchor	5000998	1
2	P5076	foot groundanchor	03 00 104	1
3	P5130	Pole support - adjustable		1
4	standard	Bolt DIN6921 M8x20	...	4
5	P5040	Cover groundanchor	04 00 193	1
6	standard	DIN 7982 4.2 x 32	06 00 200	2
7	P4213	draadstang M10	06 00 292	2
8	standard	DIN 912 M6 x 8	0600222	2
9	standard	Dop 50 x 50	05 00 215	1

**drehbare  
Bodenhülse  
MULTIPOLE**

Art. Nr. : ...	Tek. Nr. : <b>P5507-00</b>
-------------------	-------------------------------